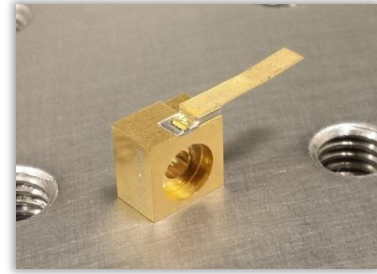


**2300 nm FABRY-PEROT LASER DIODE**
**Product number:** - (typical performance datasheet)

**Package:** C-mount (TO Can also available)


## Specifications

---

**Physical properties**

Cavity length	mm	1,5
Ridge width	μm	120
AR coating	%	3
HR coating	%	>95

**Electrical properties**

Threshold current	mA	300
Maximum operating current*	A	<b>5</b>
Maximum operating voltage*	V	1,5

**Optical properties**

Peak output power	mW	500
Center wavelength	nm	2290
Mode		Multimode

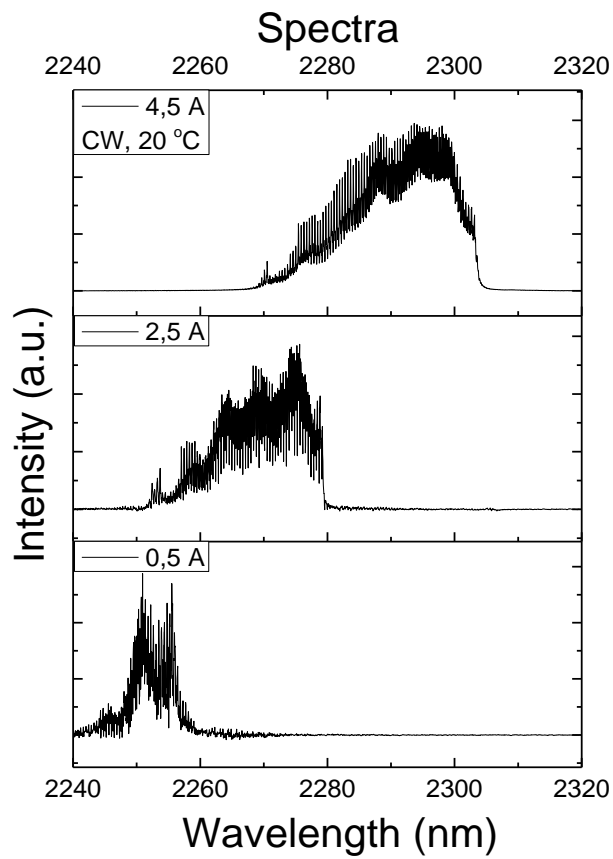
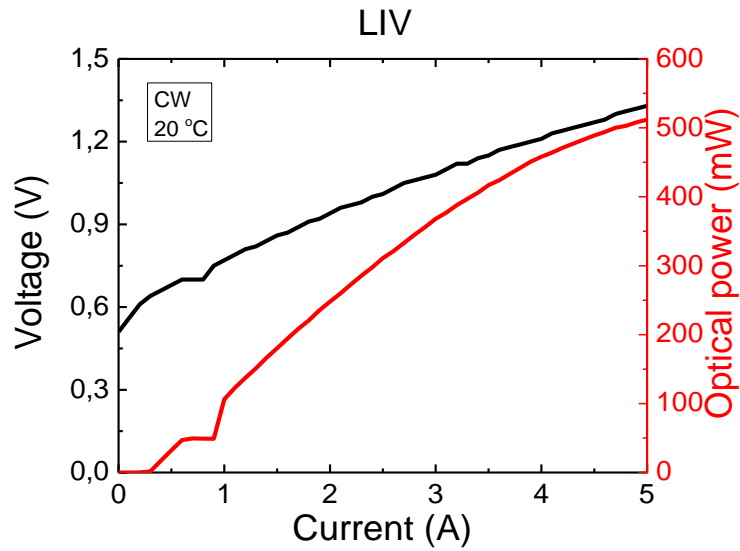
20 °C, Continuous-wave operation, 4,5 A

**\*Exceeding maximum operating ratings can lead to permanent damage to the device! This can adversely affect device performance or lead to complete failure.**

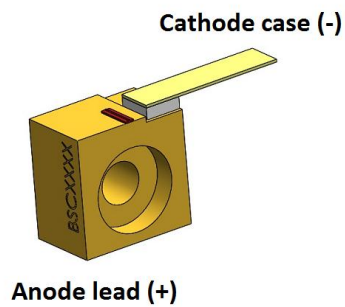
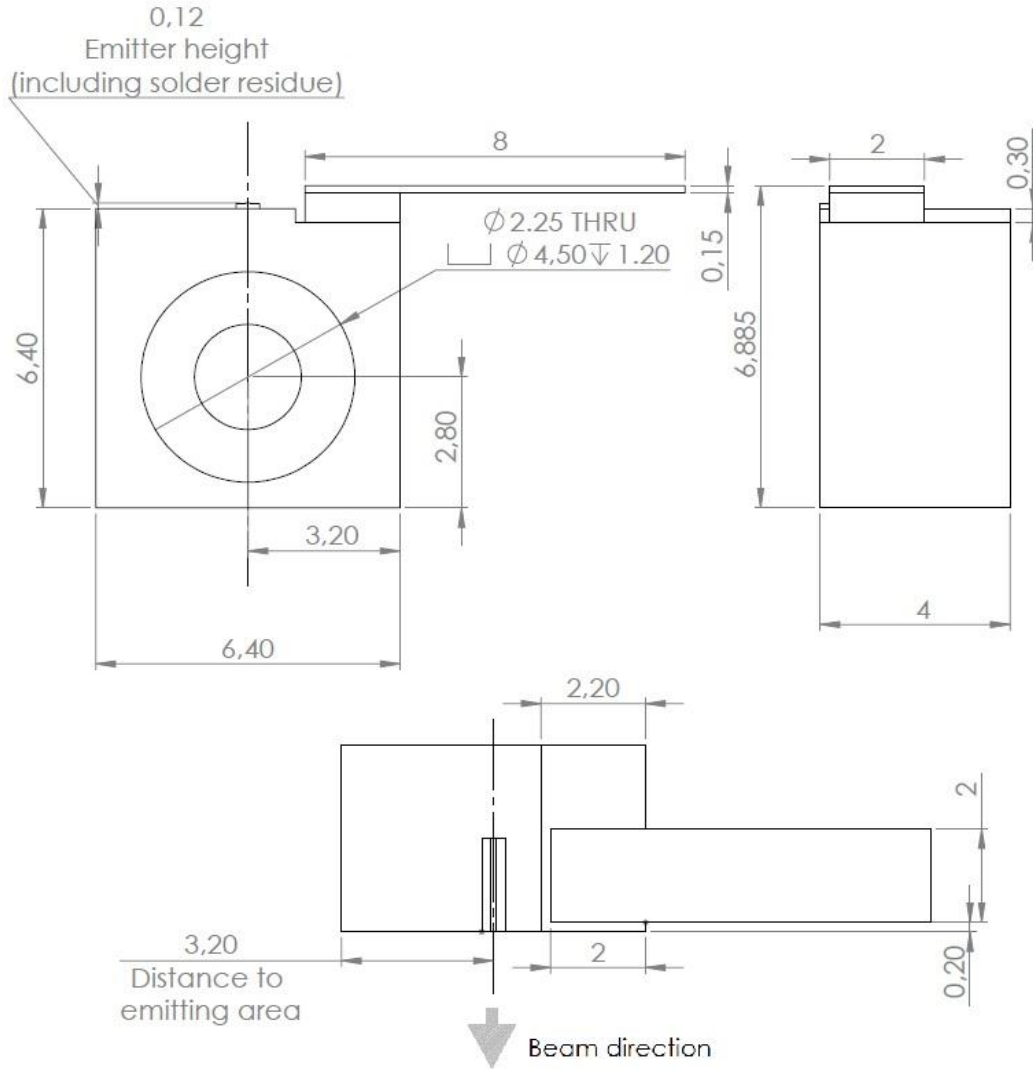


Specifications subject to change without notice.

Performance plots



**Drawings (C-mount package)**



**Drawings (TO Can package 9mm)**

