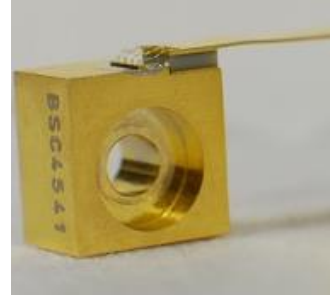


980 nm CW High-power laser diode

Product number:

Package: C-mount, F-mount



Specifications

Physical properties

Cavity length	mm	3
Ridge width	μm	190
AR coating	%	3-5
HR coating	%	>95

Electrical properties

Maximum operating current*	A	15
Maximum operating voltage*	V	2
E-O efficiency	%	45-50

Optical properties

Peak output power	W	12
Center wavelength	nm	983
Mode		Multimode
Fast axis divergence	deg	30
Slow-axis divergence	deg	8
Slope efficiency	W / A	0.9 - 1

Spectral properties

Wavelength shift	nm / A	1-1.1
Spectral width FWHM @ 5 W	nm	3.5
Spectral width at 1/e ² @ 5 W	nm	5

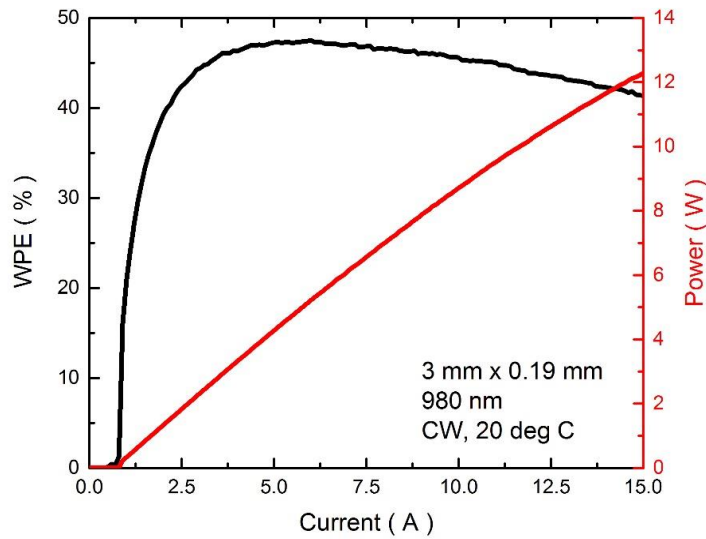
20 °C, Continuous-wave operation

***Exceeding maximum operating ratings can lead to permanent damage to the device! This can adversely affect device performance or lead to complete failure.**

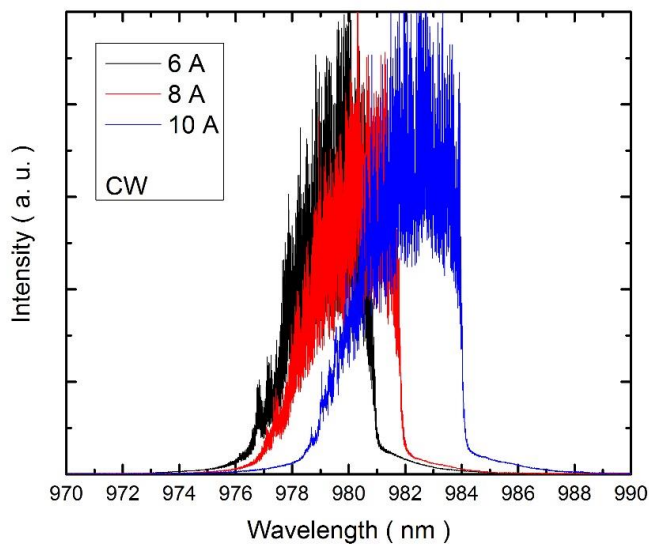


Performance plots

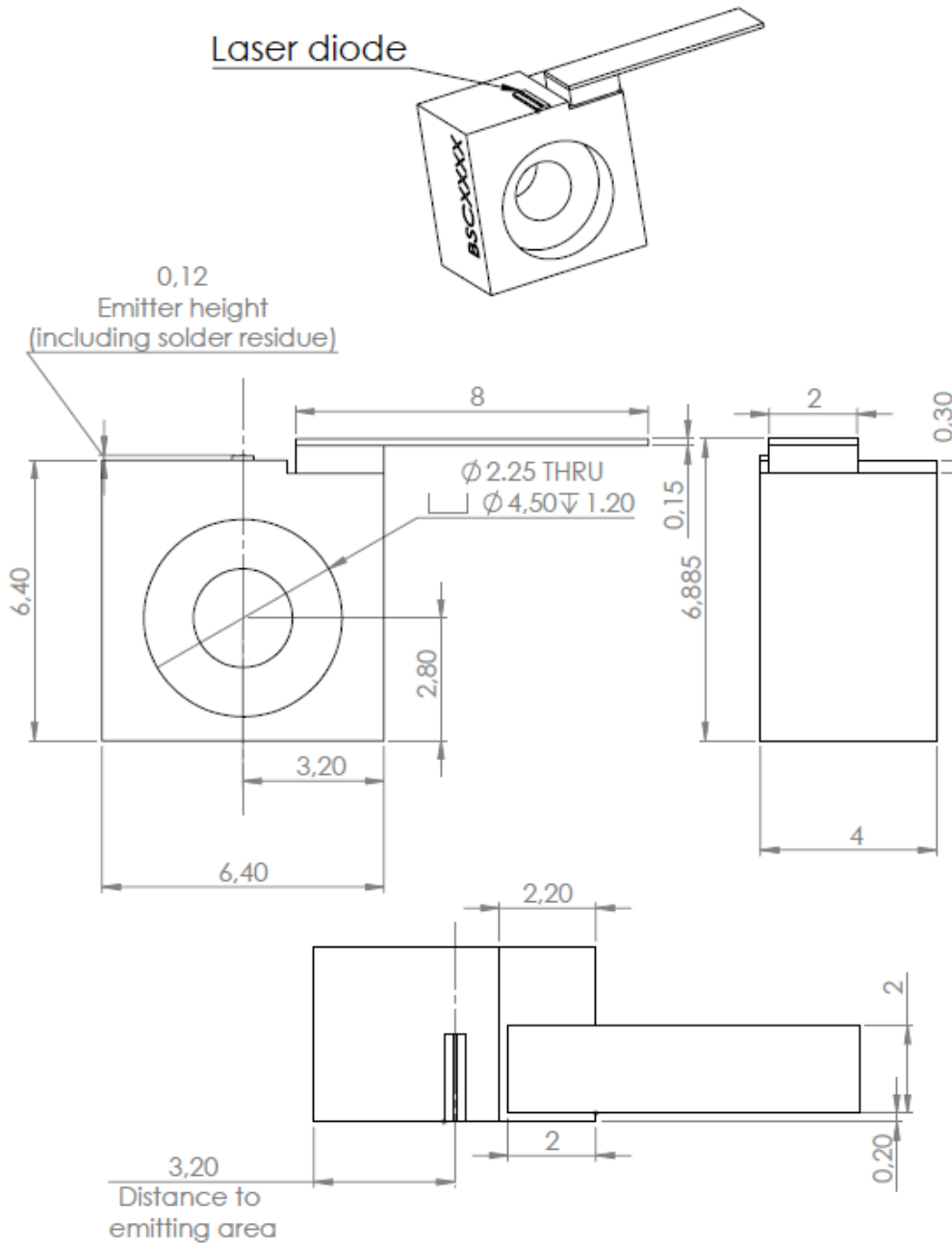
Power output



Spectral



Drawings



All dimensions in mm.

