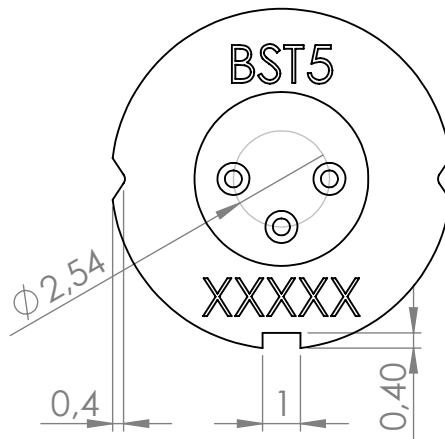
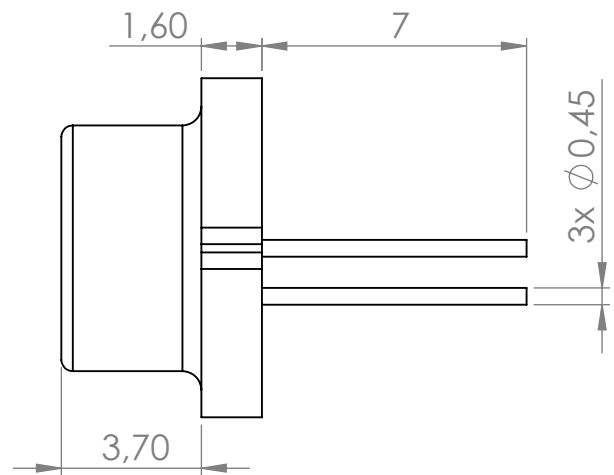
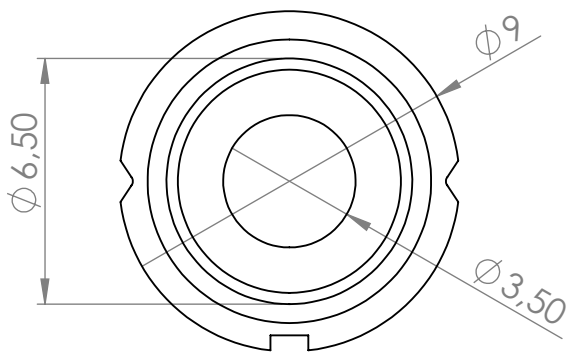


Laser diode in  
TO-5 package



Material				A4
Designed by	Date		Part number	Scale
M. Kausylas	2014.11.17			5:1
		TO-5		Revision
				1
		ALL DIMENSIONS IN mm.		Sheet
1/1				